

## Honeywell Total Connect®

### Video Solutions

Honeywell Total Connect Video Solutions are part of Honeywell Total Connect Remote Services, which let consumers control their security and automation systems, view live video, keep tabs on vehicles and assets\* and receive important email and video alerts on everyday smart devices. They provide dealers with an excellent way to earn RMR, especially when combined with I-View Now™ video alarm verification (VAV)—a patented, cloud-based central station video interface that lets monitoring personnel view video clips to see what caused an alarm to help ensure that emergency responders have the information they need prior to arrival onsite.

Wired/Wireless IP Cameras are easy to install and feature a compact, portable design. Honeywell's WAP-PLUS (Wireless Access Point) provides secure, wireless networking ability (Wi-Fi®) in iPCAM installations. It connects easily to a port on a router and is configured with iPCAMs using Wi-Fi Protected Setup (WPS).

Honeywell's WREX (Wi-Fi Repeater Extender) is designed to enhance connectivity within a wireless Wi-Fi network, letting dealers expand the number of locations where they can install IP cameras. Configuration is easy with a push-button WPS (Wi-Fi Protected Setup) and available wired Ethernet connection. Wi-Fi signal strength bars and diagnostic screens help installers diagnose range issues.

*\*Honeywell Total Connect Tracking Services is available in the U.S. only.*



## FEATURES AND SPECIFICATIONS

- **Works with PCs, smartphones, tablets and other compatible wireless devices.**
- **Video signal strength indicator**
- **Video diagnostic screen**
- **Advanced graphic user interface**
  - The Honeywell Total Connect video viewer is an attractive, easy to use interface with customizable multiple images, sizing capability and streaming views. Optional pan/tilt controls for compatible cameras.
- **Adobe® Flash player-based application**
- **QuickTime® video player**
- **Secure communications firewall friendly video streaming**
  - No router changes required, no port forwarding necessary
- **Web-based camera configuration**
  - Video application parameters configured via Honeywell Total Connect
- **Up to six cameras supported per account**
  - Selectable per user multi-camera view
- **Event driven video notification with adjustable video motion detection technology**
- **Video storage of up to 500MB of video clips**

Adobe and Flash are registered trademarks of Adobe Systems Incorporated in the United States and/or other countries. QuickTime is a registered trademark of Apple Inc.



# IPCAM-WL

Wired/Wireless Indoor Low-Light IP Camera

## FEATURES AND SPECIFICATIONS

### VIDEO

- **Video Compression**
  - H.264, MPEG-4 SP, M-JPEG
- **Video Streaming**
  - Simultaneous H.264, MPEG-4 and M-JPEG
- **Image Settings**
  - Flip, Mirror, AWB (Auto-White- Balance), AGC (Auto-Gain-Control), Contrast, Sharpness, Brightness
- **Resolution and Frame Rate**
  - VGA, QVGA, Up to 30 fps (frame per second)

### SENSOR AND LENS

- **Image Sensor**
  - 1/5" CMOS Sensor
- **Minimum Illumination**
  - 0 Lux (with IR LED)
- **Lens**
  - Fix Focus Lens, Aperture: F2.0
  - Diagonal View Angle: 61° (Horizontal=50°, Vertical=39°)

### NETWORK

- **Ethernet**
  - 10/100 Base-T, Auto-MDIX
- **Protocols**
  - TCP/IP, HTTP, HTTPS, IPv4, RTSP/ RTP, RTCP, QoS, DHCP, NTP, FTP, SMTP, DNS, DDNS, UPnP, IGMP, ICMP, Customized API Protocol Compatible
- **Wireless**
  - IEEE 802.11b/g/n, WEP 64/128 bit, WPA/ WPA2 Personal

### HARDWARE

- **Connectors**
  - RJ-45 for Ethernet; DC Power Jack
- **Processors and Memory**
  - SoC: ARM9, 300M Hz
  - RAM: 128 MB
  - Flash: 16 MB
- **LED and Button**
  - LED: Power, Network
  - Button: WPS / Reset
- **Night Vision**
  - IR LED x 10
  - Light Sensor x 1
- **Power Consumption**
  - 12V DC, Max 5.8W
- **Compliance**
  - FCC, CE
  - Power Supply: UL
- **Dimensions (H x W x D)**
  - 79mm x 79mm x 23mm (3.11" x 3.11" x 0.91")

### ENVIRONMENT

- **Operation**
  - Temperature: 0° – 40°C (32° – 104°F); Humidity: 0% – 80% RH (non-condensing)
- **Storage – Temperature:**
  - 20° – 70°C (-4° – 158°F); Humidity: 0% – 90% RH (non-condensing)

### ACCESSORIES

- **Ethernet Cable, Power Supply** (12V/1A, 100-240VAC)

## IPCAM-WL COMPATIBILITY CHART

VAM	Tuxedo Touch™ Wi-Fi® Rev 5.1.9.0_VA & greater	Honeywell Total Connect 2.0	Honeywell Total Connect 1.0	LYNX Touch Systems
✓	✓	✓	X	*

- ✓ Compatible
- X Not compatible
- \* Local viewing is supported with version V700657 and higher

## iPCAM-PT2A

Wired/Wireless Indoor IP Camera with Pan/Tilt Ability



### FEATURES AND SPECIFICATIONS

---

#### VIDEO

- **Image Sensor**
  - CMOS 1/4" VGA & HD compatible resolution
- **LENS**
  - Fix Focus Lens F2.0, Effective range:
  - Diagonal View Angle: 55.8° (Horizontal=46.8°, Vertical=35.8°)
- **Compression**
  - H.264, MPEG-4 SP, M-JPEG
- **Resolution**
  - 1280x720 capable, VGA, QVGA, QQVGA
- **Frame Rate**
  - Up to 30 fps
- **Image Control**
  - Brightness, Sharpness, White Balance, Contrast

#### PAN/TILT

- **Pan Range**
  - Pan Range 320° (Left 160° - Right 160°)
- **Tilt Range**
  - Tilt Range 120° (Up 90° - Down 30°)

#### WIRELESS (RC8061)

- **Standard**
  - IEEE 802.11N/b/g
- **Encryptions**
  - WEP 64/128 bit, WPA/WPA2 Personal

#### HARDWARE

- **LED and Button**
  - LED: Power, Active, Network/
  - Button: WPS, Reset
- **Connector Ethernet**
  - RJ-45 for Ethernet, DC Power Jack, 3.5mm Jack for Audio Out, One D/I and One D/O
- **Motion Sensor**
  - Sensitivity Distance: 5 M
- **Bright Light LED**
  - White light LED x 4/up to 15 ft
- **Privacy Button**
  - Privacy button for video enable/disable
- **Power Adapter**
  - 12V/1A, 100-240VAC
- **Certification**
  - CE, FCC/Power Supply: UL
- **Dimensions**
  - 5.7" H x 3.8" W x 3.1" D
- **Weight**
  - 1.5 lbs.
- **Operating Temperature**
  - 23°F - 122°F (-5°C - 50°C)

## iPCAM-WO

Wired/Wireless Color Outdoor IP Camera



### FEATURES AND SPECIFICATIONS

#### VIDEO

- **Image Sensor**
  - Omnivision OV7740 1/5" CMOS Sensor
- **LENS**
  - F2.0 Fixed Focus (FOV 62° diagonal)
- **Compression**
  - MPEG-4/M-JPEG Dual Stream
- **Resolution**
  - Support 640 x 480, 320 x 240, 160 x 120
- **Frame Rate**
  - Up to 30 frames per second for all streams at all resolutions
- **Image Control**
  - AWB, AGC, Sharpness, Brightness, ACE, Image Quality, Time Stamp and Text Overlay

#### WIRELESS (RC8061)

- **Standard**
  - IEEE 802.11B/G/N
- **Encryptions**
  - WEP 64 Bits/128 Bits, WPA/WPA2 Personal, WPS

#### HARDWARE

- **LED Indicator**
  - Network/WPS
- **Connectors (Waterproof)**
  - Ethernet, RJ45 connector, power jack, 2.5mm phone jack, reset tack switch
- **Motion Sensor**
  - 9.84 ft. to 16.4 ft., 60° coverage
- **Power Adapter**
  - External power adapter: 12V/1A, 100 to 240 VAC, switching
- **Certification**
  - CE/FCC Listed
- **Dimensions**
  - 4.05" H x 3.7" W x 1.46" D
- **Weight**
  - 1.98 lbs. (900g)
- **Operating Temperature**
  - 10°F – 113°F (-23°C – 45°C)
- **Housing Structure**
  - Top cover: plastic
  - Rear housing: casting metal
  - Stand: metal

#### INFRARED

- **Automatic IR-cut switcher**
  - For Day/Night mode switching to get better video quality (IR distance = up to 25 feet)
- **IR LED**
  - for enhancing low light performance
- **Built-in light sensor**
  - for detecting light sensitivity more accurately

# WAP-PLUS

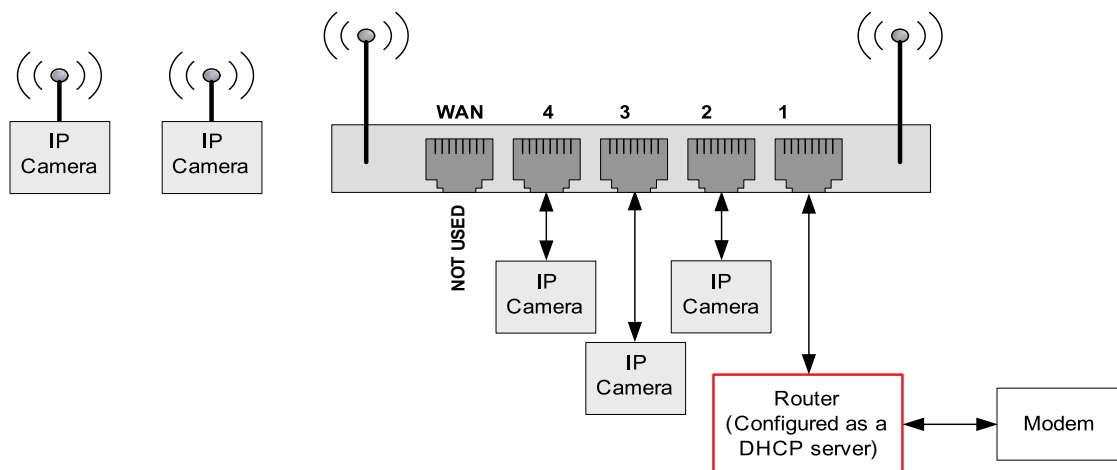
Wireless Access Point



## FEATURES AND SPECIFICATIONS

- 802.11 G/N Wi-Fi Protocols
- Supports Honeywell Total Connect Video applications
- Optimized for Video Streaming
- Enhanced Network Security
- Simple configuration using Wi-Fi Protected Setup (WPS)

Wired or Wireless IP Camera Setup to the WAP-PLUS (Wireless Access Point)



# WREX

Wi-Fi® Repeater Extender



## FEATURES AND SPECIFICATIONS

- **Supports 802.11b/g/n Wireless Standards**  
The WREX is compatible with the most popular wireless standards. 802.11n, 802.11g and 802.11b wireless devices can be used simultaneously.
- **Bridge Mode for Wired Clients** Connect a wired IP device to the Ethernet port to convert it to wireless.
- **WPS Support**  
WPS (Wi-Fi Protected Setup) simplifies the process of connecting devices to the wireless networks by using the push button configuration on the device.

### NETWORK

- **LAN Port**
  - 1 (10/100 Mbit/sec port)
- **Wi-Fi**
  - IEEE 802.11b/g/n
- **Support Standard**
  - IEEE 802.3, IEEE 802.3u, 10/100 Base-TX, Auto Negotiation, Auto-MDIX

### WIRELESS

- **Wireless Security**
  - WPS push-button configuration
- **Antenna Power**
  - 1.8 dBi
- **Antenna Type**
  - External Detachable x 2
- **PA RF Power**
  - About + 20 dBm (Low Data Rates)/+18 dBm (High Data Rates)

### HARDWARE

- **LED Indicators**
  - Power, WPS, Wi-Fi uplink, Wi-Fi client connected, Ethernet
- **Push Button**
  - Power, WPS, Reset
- **Dimensions (H x W x D)**
  - 67mm x 40mm x 86.5mm
- **Compliance**
  - FCC, UL

### POWER SUPPLY

- **Input**
  - 100 ~ 240 VAC (Built-in Power)

### ENVIRONMENT

- **Operation**
  - Temperature: 0°-50°C (32°-122°F);
  - Humidity: 8%-95% RH (non-condensing)
- **Storage**
  - Temperature: -20°-85°C (-4°-158°F);
  - Humidity: 5%-95% RH (non-condensing)

# ACU

## Analog Converter Unit



### FEATURES AND SPECIFICATIONS

#### GENERAL

- **Indicators**
  - Power; Active; Network
- **Button**
  - Reset/WPS
- **Connectors**
  - Ethernet, RJ45 connector
  - Composite video input, BNC connector
  - Composite video output (loop out), BNC connector
  - Reset button
  - DC power jack
- **Housing structure**
  - Aluminum body and panels with wall mount kits
- **Dimensions**
  - 1.18" H x 3.54" W x 5.51" L
- **Weight**
  - 0.77 lbs. (350g)
- **Operating temperature**
  - 32°F to 104°F (0°C to 40°C)
- **Humidity**
  - 10-80%
- **Power**
  - 12VDC

#### HARDWARE

- High quality analog TV decoder supporting NTSC and PAL standard
- Provides MPEG4 Simple Profile
- **LAN**
  - 10/100 Base TX Ethernet with auto-MDIX
- **Hardware 128-bit AES and 64-bit DES/3DES data encryption**

#### FIRMWARE

- Supports motion detection by analyzing video stream
- **Image controls**
  - Auto White Balance (AWB), Auto Gain Control (AGC), Sharpness, Image Quality, Time Stamp and Text Overlay

#### VIDEO

- **Compression**
  - MPEG-4 SP; MJPEG
- **Resolution**
  - 640 x 480
  - Up to 30 FPS
- **Video Controls**
  - NTSC/PAL auto detect
- **Video Streaming**
  - Simultaneous MPEG-4 and MJPEG
  - 3GPP/ISMA compatible

#### ALERTS\*

- **Motion detection**
  - Four detection areas with individual sensitivity
- **Email alert**

#### NETWORK

- **Ethernet**
  - 10/100 Base T, Auto-MDIX
- **Wireless**
  - IEEE 802.11 b/g/n

#### PROCESSORS AND MEMORY

- **SoC**
  - ARM9 (500 MHz)
- **RAM**
  - 64 MB
- **Flash**
  - 8 MB

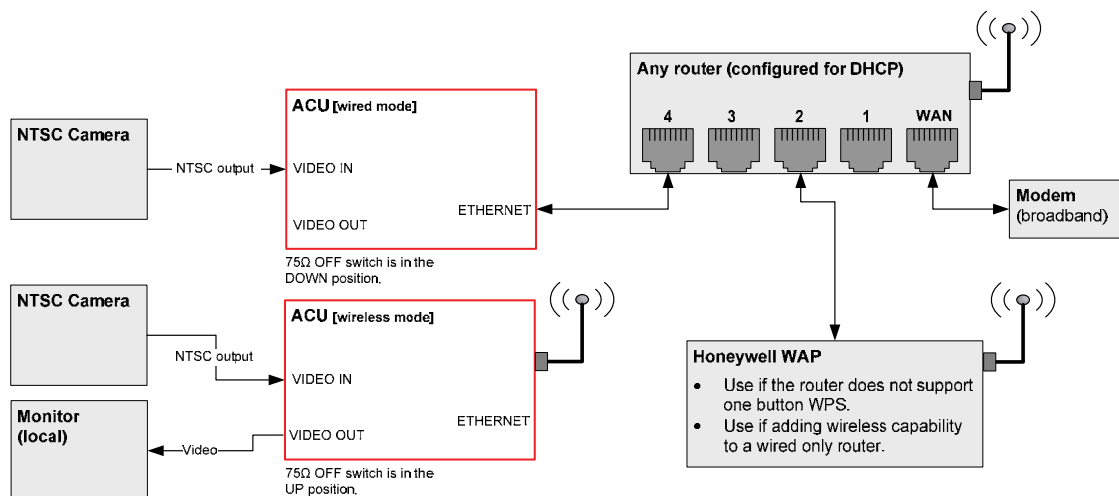
#### COMPLIANCE

- CE
- FCC
- UL (Power Supply)

#### ACCESSORIES

- **Power Supply**
  - 12V/1A, 100-240 VAC
- **Quick Installation Guide**

\*With Total Connect Remote Services subscription.



# Honeywell Total Connect<sup>®</sup>

Video Solutions

## ORDERING

<b>IPCAM-WL</b>	Wired/Wireless Indoor Low-Light IP Camera
<b>IPCAM-PT2A</b>	Wired/Wireless Indoor IP Camera with Pan/Tilt Ability
<b>IPCAM-WO</b>	Wired/Wireless Color Outdoor IP Camera
<b>WAP-PLUS</b>	Wireless Access Point
<b>WREX</b>	Wi-Fi <sup>®</sup> Repeater Extender
<b>ACU</b>	Wired/Wireless Analog Converter Unit

### For more information

[www.honeywell.com/security](http://www.honeywell.com/security)

### Honeywell Security and Fire

2 Corporate Center Dr. Suite 100

P.O. Box 9040

Melville, NY 11747

1.800.323.4576

[www.honeywell.com](http://www.honeywell.com)

L/IPCAMWID/D | 01/17  
© 2017 Honeywell International Inc.

**Honeywell**